

CHAIN LINK FENCING

SIDES:
50mm PITCH x 3.15mm HEAVY DUTY BLACK FUSE-BONDED CHAIN LINK FABRIC.

REAR WALL & ROOF:
40mm PITCH x 3.15mm EXTRA HEAVY DUTY BLACK FUSE-BONDED CHAIN LINK FABRIC.

ALL SELVEDGE SHALL BE KNUCKLED KNUCKLED.

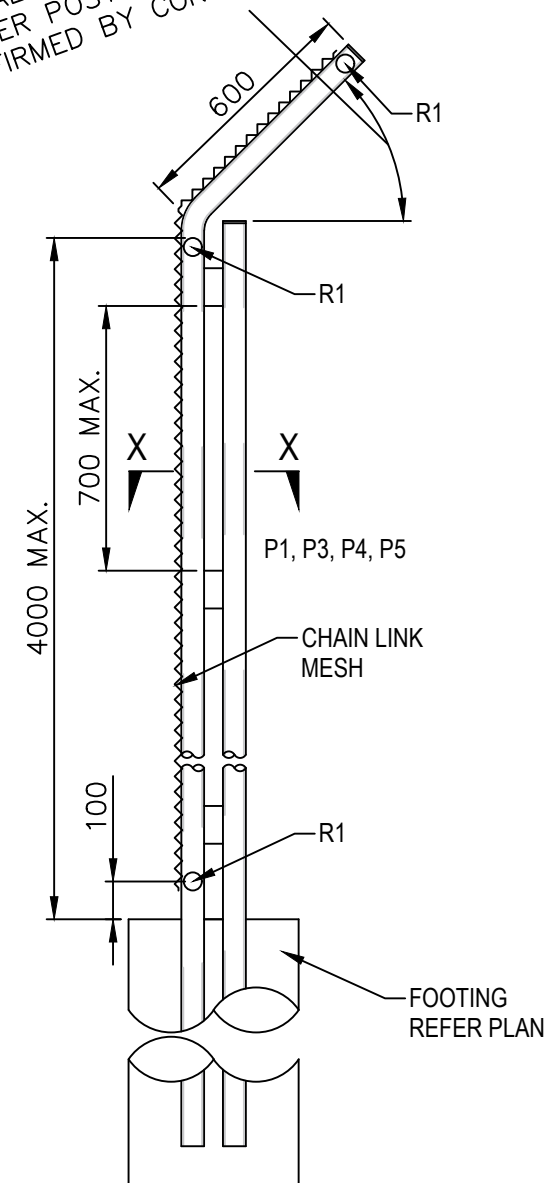
TIE WIRE

2.0mm DIA CORE METALLIC BASE WIRE WITH BLACK FUSE-BONDED COATING. LACE CHAIN LINK FABRIC AT 450 MAXIMUM CENTRES ALONG TENSION WIRES, INTERMEDIATE RAILS AND POSTS. FULLY LACE CHAIN LINK FABRIC AT CORNER POSTS, END POSTS, TOP AND BOTTOM RAILS.

NOTES

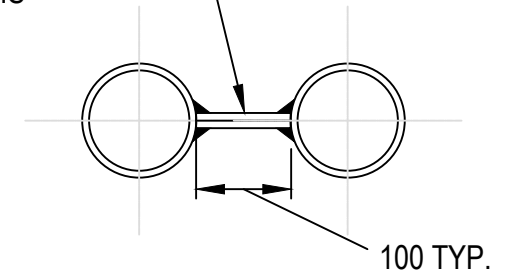
- CHAIN LINK FABRIC SHALL BE INSTALLED TO BOTH FACES OF ALL INTERNAL DIVIDING FENCES
- CHAIN LINK FABRIC SHALL BE INSTALLED ON THE INSIDE OF ALL POSTS ON ALL EXTERNAL FENCES
- TOPS OF ALL POSTS TO BE FITTED WITH GALVANIZED STEEL CAPS

TYPICAL 45° FOR SIDE WALL
CORNER POSTS NEED TO BE
CONFIRMED BY CONTRACTOR

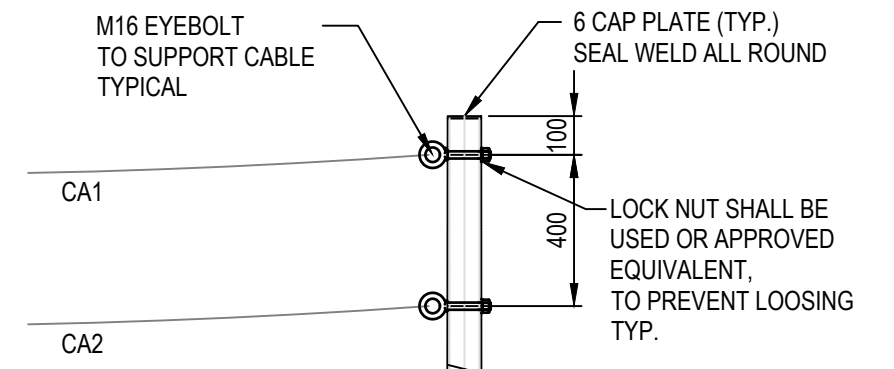


TYPICAL CRANKED POST DETAIL
SINGLE POST SIMILAR

100x50x8 THICK PLATES
6 CFW TO CHS



VIEW X-X



TYPICAL P6 POST TOP DETAIL

PRELIMINARY DRAWING
NOT TO BE USED FOR CONSTRUCTION PURPOSES

P0	PRELIMINARY ISSUE	BC	10/08/22
No	Revision	By	Date

THIS DRAWING IS TO BE READ IN CONJUNCTION WITH ALL OF THE ARCHITECTURAL DRAWINGS AND SPECIFICATIONS. NO DIMENSIONS ARE TO BE SCALED.

THIS DRAWING IS COPYRIGHT, AND REMAINS THE PROPERTY OF JYN ENGINEERING CONSULTANTS AND MUST NOT BE COPIED, ALTERED OR USED WITHOUT THE WRITTEN PERMISSION OF JYN ENGINEERING CONSULTANTS.

JYN ENGINEERING CONSULTANTS
Structural and Civil Engineers
105/254 Bay Road Sandringham, Victoria, Australia, 3191
Phone: 613 9086 3728
e-mail: jooyee@jynengineering.com.au

Client



Designed by B.C.
Drawn by B.C.
Checked by J.Y.N.
Date 10-08-22

Project CRICKET PRACTICE NET GUY TURNER RESERVE BAYSWATER
Title CRICKET NET ENCLOSURE POST DETAILS

Scale N/A
Job No. 220702
Drawing No. S7 Rev. P0