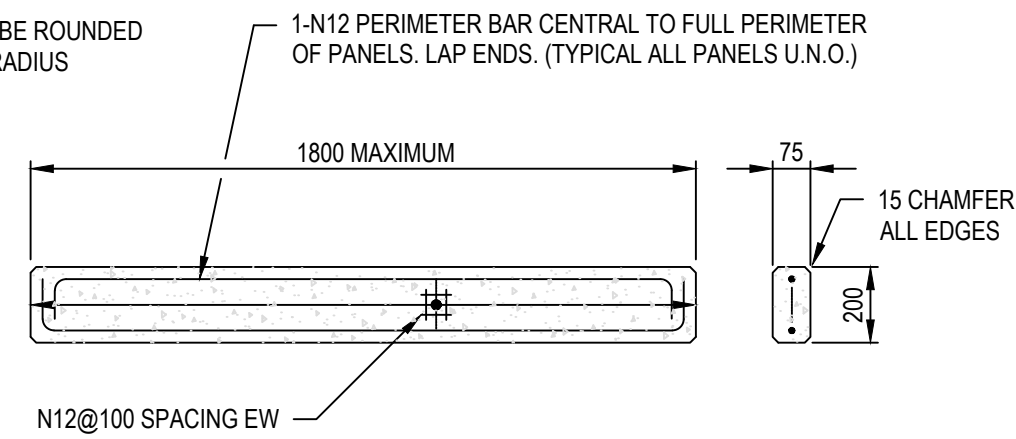
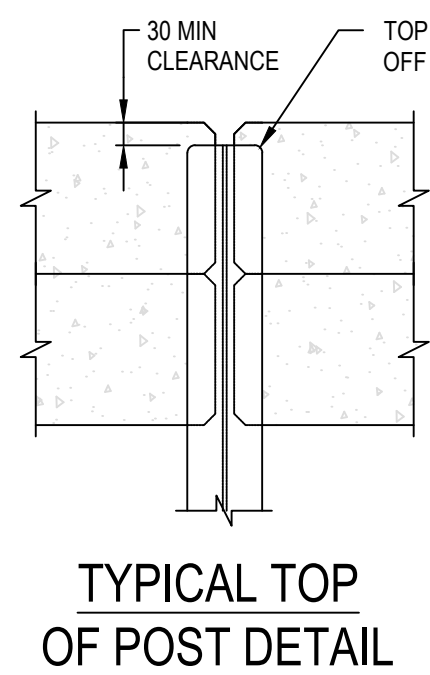
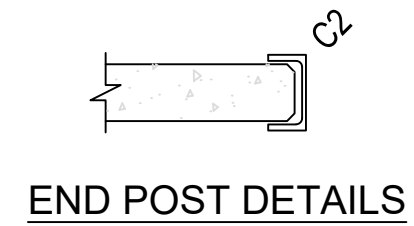
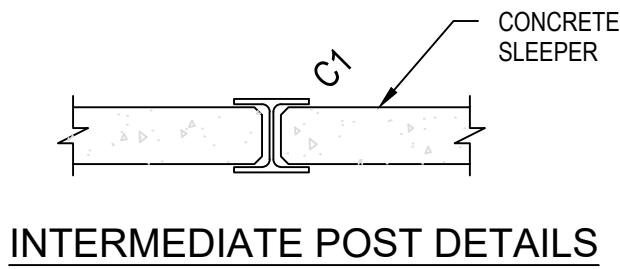


TYPICAL SLEEPER RETAINING WALL DETAIL



NOTE:
 NUMBER AND EXTENT OF CONCRETE SLEEPERS TO BE CONFIRMED ON SITE BY THE SUPERINTENDENT

POST SCHEDULE		
C1	100 UC 15	H.D. GALVANIZED
C2	100 PFC	H.D. GALVANIZED

PRELIMINARY DRAWING
 NOT TO BE USED FOR CONSTRUCTION PURPOSES

THIS DRAWING IS TO BE READ IN CONJUNCTION WITH ALL OF THE ARCHITECTURAL DRAWINGS AND SPECIFICATIONS. NO DIMENSIONS ARE TO BE SCALED.
 THIS DRAWING IS COPYRIGHT, AND REMAINS THE PROPERTY OF JYN ENGINEERING CONSULTANTS AND MUST NOT BE COPIED, ALTERED OR USED WITHOUT THE WRITTEN PERMISSION OF JYN ENGINEERING CONSULTANTS.

JYN ENGINEERING CONSULTANTS
 Structural and Civil Engineers
 105/254 Bay Road Sandringham, Victoria, Australia, 3191
 Phone: 613 9086 3728
 e-mail: jooyee@jynengineering.com.au



Client
 Designed by B.C.
 Drawn by B.C.
 Checked by J.Y.N.
 Date 10-08-22

Project **CRICKET PRACTICE NET GUY TURNER RESERVE BAYSWATER**
 Title **RETAINING WALL DETAILS**

P0	PRELIMINARY ISSUE	BC	10/08/22
No	Revision	By	Date
Scale		N/A	
Job No.		220702	
Drawing No.	Rev.		
S9	P0		